

ES-TB325-02 STEP-DOWN AUTO-TRANSFORMER




DESCRIPTION

INPUT VOLTAGE: 480Vac $\pm 10\%$ / 347Vac $\pm 10\%$ / 277Vac $\pm 10\%$

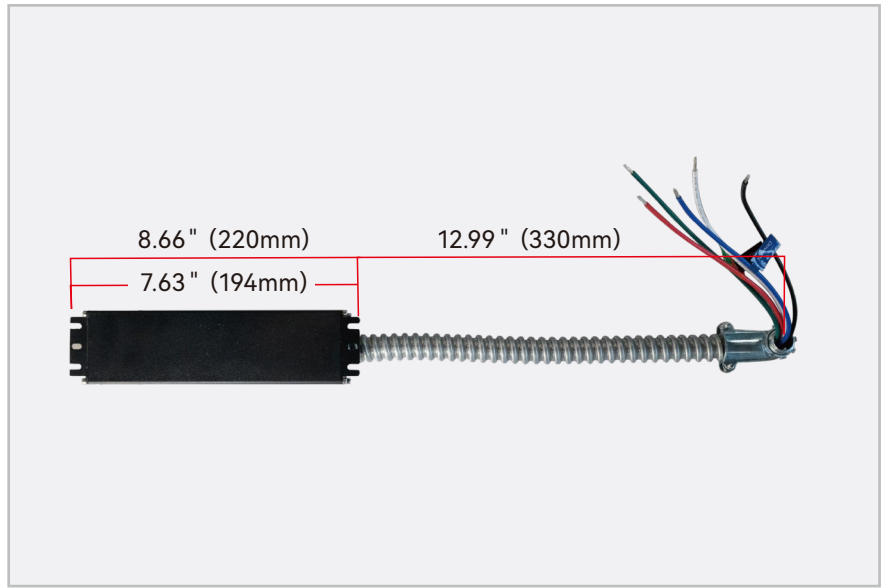
Safety standard: UL 5085-3 listed, for field installation

Warranty: 5 years warranty

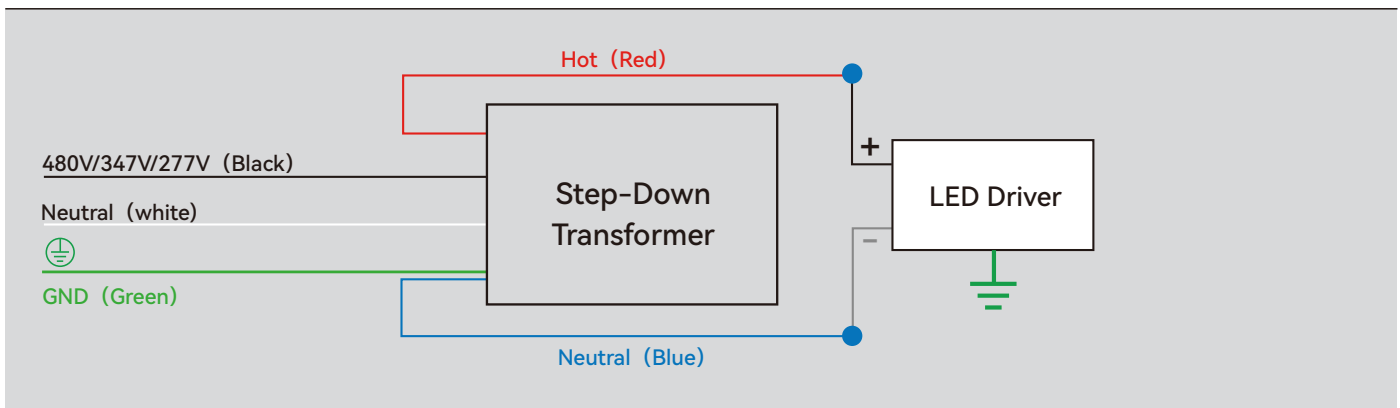
MODEL SELECTION TABLE

Product Code	Picture	Output wattage	Description
ES-TB325-02		375W MAX.	Input 480V@60HZ Output 208V@60HZ Max Load 465VA (375W) Input 347V@60HZ Output 150V@60HZ Max Load 320VA (270W) Input 277V@60HZ Output 120V@60HZ Max Load 258VA (215W)
		260W MAX.	Input 480V@60HZ Output 208V@60HZ Max Load 325VA (260W) Input 347V@60HZ Output 150V@60HZ Max Load 240VA (188W) Input 277V@60HZ Output 120V@60HZ Max Load 185VA (150W)
		160W MAX.	Input 480V@60HZ Output 208V@60HZ Max Load 200VA (160W) Input 347V@60HZ Output 150V@60HZ Max Load 140VA (110W) Input 277V@60HZ Output 120V@60HZ Max Load 115VA (90W)

DIMENSION

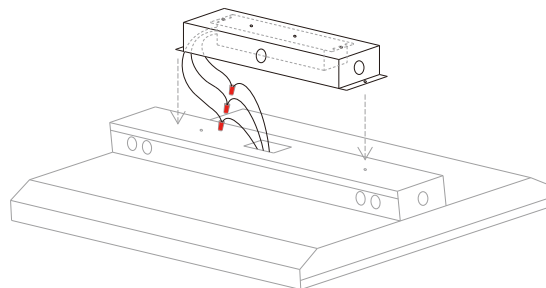


WIRING DIAGRAM



TRANSFORMER COVER BOX

- Attach transformer to cover box.
- Make wiring connections.
- Attach transformer cover box assembly to luminaire driver enclosure.



TRANSFORMER BRACKET FOR PANELS

- Attach transformer to bracket.
- Attach transformer bracket to panel.
- Make wiring connections .

